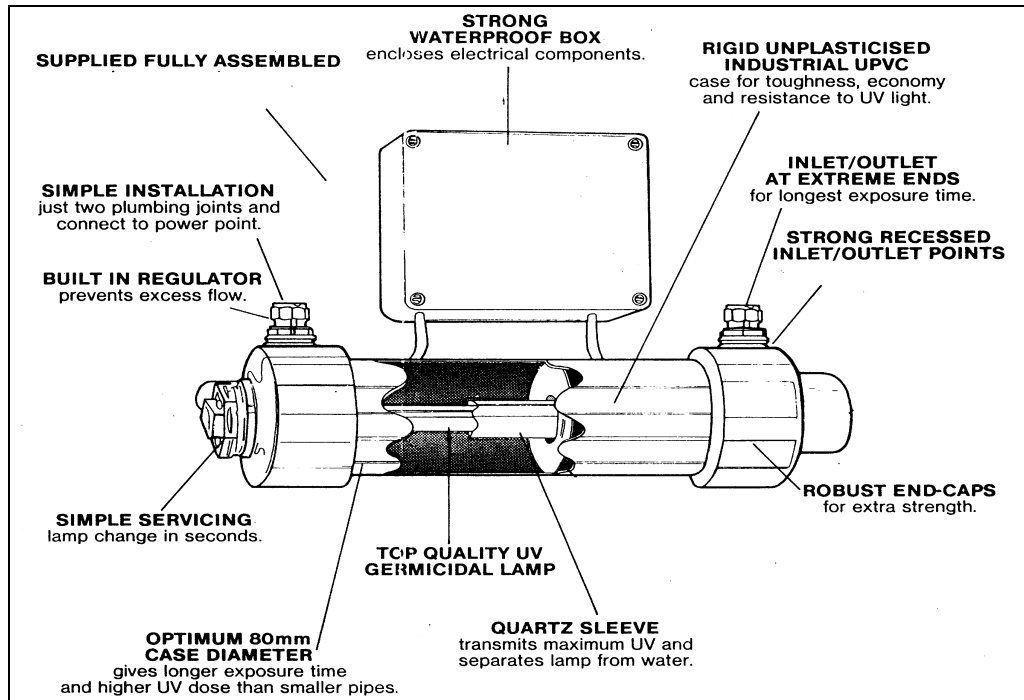


# uvpure

## ULTRAVIOLET WATER STERILISERS



### Typical Applications

- Drinking water for farms, houses, hospitals, hotels and communities from untreated supplies
- Treatment of effluent and pre-treated sewerage
- Treatment of seawater for fish processing
- Disease control in ornamental ponds, aquariums and aquaculture operations
- Shellfish purification systems
- Product and washing water for beverage, pharmaceutical and food industry
- Control of microorganisms in cooling towers and heat exchangers
- Mobile, solar powered systems also available
- Also available with stainless steel chamber construction

### BENEFITS

- SIMPLE TO INSTALL
- VIRTUALLY MAINTENANCE FREE
- KILLS ALL TYPES OF MICROORGANISMS
- IMMEDIATE EFFECT
- LOW POWER CONSUMPTION
- uPVC CONSTRUCTION FOR MINIMUM OUTLAY (Optional in stainless steel)
- NO CHLORINE OR OTHER CHEMICALS REQUIRED
- USES HIGH EFFICIENCY LOW PRESSURE UV LAMPS
- MANUFACTURE IN RSA WITH SHORT LEAD TIMES

## TECHNICAL DETAILS

The **uvpure** units are available in a number of standard models.

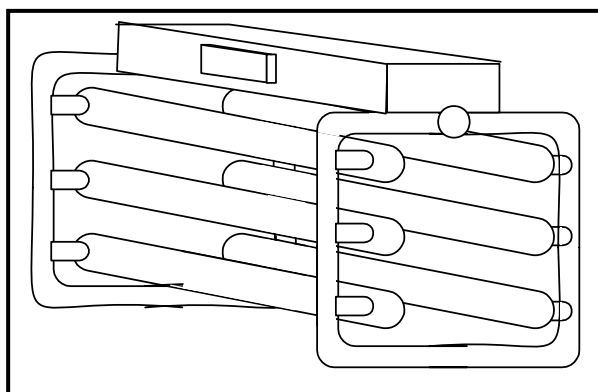
There is only one inlet and outlet piping connection required for each model and equal flows are directed to each module. Hourmeters are included as standard.

Electrical supply is 220V, 50 Hz. All models are rated at 7 bar operating pressure.

The life of the lamps is 8,000 hours. Hourmeters are included as standard.

There is an option of a lamp failure alarm with audio and visual indication.

A schematic of the model P-450-DS is shown below. This has a layout of 2 x 3. (i.e. horizontal x vertical)



## STANDARD MODELS: SPECIFICATIONS

MODEL	FLOW CAPACITIES*		NO. OF LAMPS	LAMP TYPE	TOTAL POWER	INLET/ OUTLET	DIMENSIONS L x W x H	LAYOUT
	litres/min	m <sup>3</sup> /hr			Watts	inches/mm	mm	
P-015-DS	10	0.6	1	AUV 15	15	¾" BSP	470x 110x330	1 x 1
P-030-DS	26	1.6	1	AUV 30	30	¾" BSP	950x 110x330	1 x 1
P-055-DS	43	2.6	1	AUV 55	55	¾" BSP	950x110x330	1 x 1
P-075-DS	63	3.8	1	AUV 75	75	1" BSP	1230x110x380	1 x 1
P-110-DS	88	5.3	2	AUV 55	110	1½" BSP	930x140x730	1 x 2
P-150-DS	126	7.6	2	AUV 75	150	1½" BSP	1230x140x730	1 x 2
P-225-DS	183	11	3	AUV 75	225	1½" BSP	1230x140x1100	1 x 3
P-300-DS	250	15	4	AUV 75	300	1½" BSP	1230x140x1420	1 x 4
P-450-DS	366	22	6	AUV 75	450	2½"/75	1250x710x1100	2 x 3
P-600-DS	500	30	8	AUV 75	600	3"/90	1295x710x1230	2 x 4
P-750-DS	633	38	10	AUV 75	750	4"/110	1320x735x1265	2 x 5
P-900-DS	750	45	12	AUV 75	900	4"/110	1320x 735x1700	2 x 6

\*Flow capacities dependent on UV transmission of the water.

\*Flow capacities given at a UV dose of 30 mJ/cm<sup>2</sup> and UV transmission, T<sub>10</sub>, of 80 %